

The background of the page is a photograph of a stone tunnel. The walls and ceiling are made of large, rough-hewn stone blocks. Several recessed lighting fixtures are embedded in the stone, casting a warm, yellowish glow. The lighting creates strong highlights and deep shadows, emphasizing the texture of the stone.

# **GINGER H/ GINGER 400**

*In-ground recessed high Lumen MicroSpot*

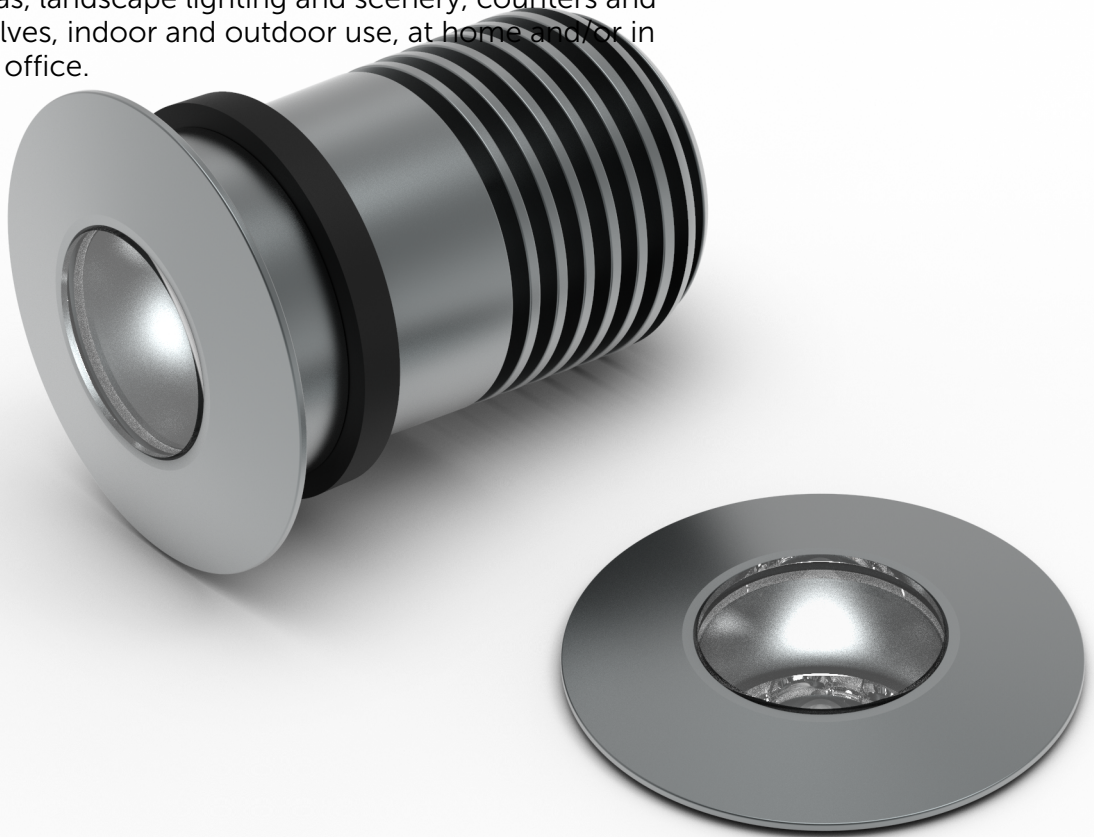
**GINGER** is a line of spotlights affording a small and slick design and leading-edge technology. The series of spots includes both recessed and freestanding fixtures. **GINGER 400** is a new line of spotlights with higher light output of 460lm thanks to Luxeon 5050 Led.









Although GINGER is small in size (only 74mm), it affords a mighty light output of 240lm, thanks to the new Luxeon TX LED. Furthermore, **GINGER's** dark-light design ensures a pure light without glare.

**GINGER** has a smart design, incorporating a unique cooling method, and a concealed cable PG, to provide a slim cutout where its anodized color lends the final touch of an artist.

**GINGER H** for installations recessed into the ground using a housing box. This line is ideal for illuminating facades and niches, spas and pool areas, landscape lighting and scenery, counters and shelves, indoor and outdoor use, at home and/or in the office.



	<b>CRI</b>		<b>lm</b>	<b>lm/w</b>				
IP 67	70-90	MAX 2.1/4.2W	241/576	121/137lm/w	8° -49° / OV	2200K ~ 6500	Monochrom	RAL / Anodize

<b>OUTPUT</b>	<b>Ginger H</b>
LED System	Luxeon TX
Intensity	240 lm @ CRI 80 4000K
Channel Range	1 Channel
Color Range	2200 / 2700K / 3000K / 3500K / 4000K / 5000K / 5700 / 6500 / COLORS
Optical System	8° / 13° / 24° / 29° / 44° / Oval 12 * 52°

<b>Ginger H 400</b>
Luxeon 5050 white
576lm @ CRI 80 4000K
1 Channel
2200 / 2700K / 3000K / 3500K / 4000K / 5000K / 5700 / 6500 / COLORS
16° / 28° / 49° / Oval 40 * 19°

<b>ELECTRICAL</b>	
Control	Constant current driver / 24V with Mini CC2CB
Input Voltage	3V @ 700mA / 24V with Mini CC2CV
Consumption	2.1W @ 700mA, 3.15W @1050mA
Max LED's	1 LED
Efficiency LM/W	121 lm/w
Connection	22AWG 2C, concealed cable PG

Constant current driver / 24V with Mini CC2CB
6V @ 700mA / 24V with Mini CC2CV
4.2W @ 700mA
1 LED
137lm/w
22AWG 2C, Concealed cable PG

**ENVIRONMENTAL**

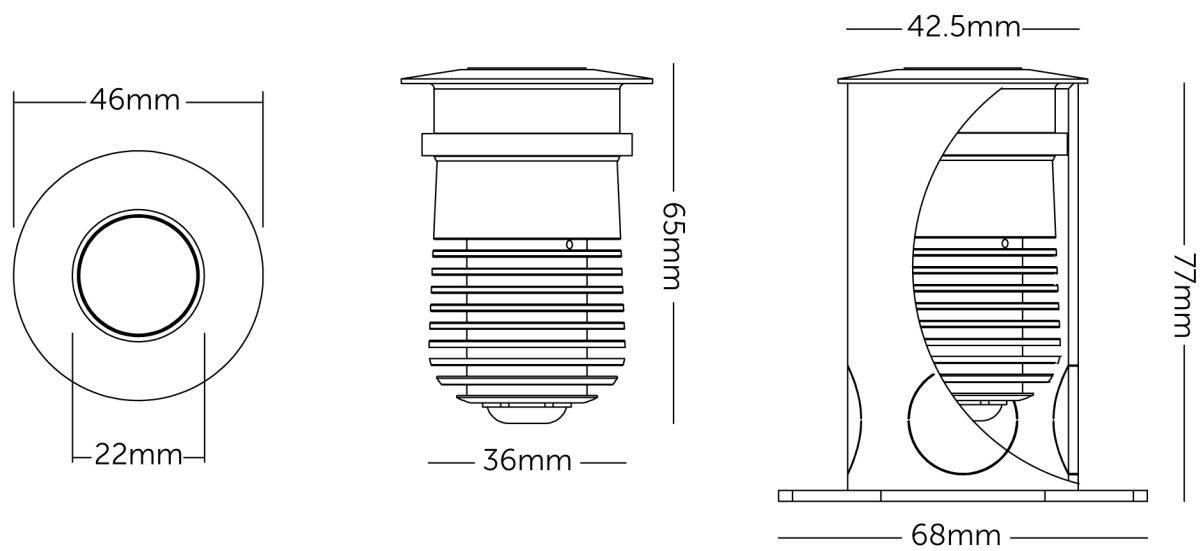
IP Rating	IP 67
Working Temp.	-18°C ~ 40°C / 0°F ~ 104°F
Storage Temp.	-18°C ~ 60°C / 0°F ~ 140°F

IP 67
-18°C ~ 40°C / 0°F ~ 104°F
-18°C ~ 60°C / 0°F ~ 140°F

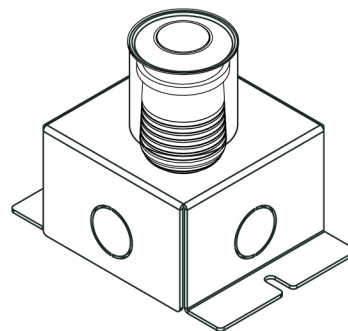
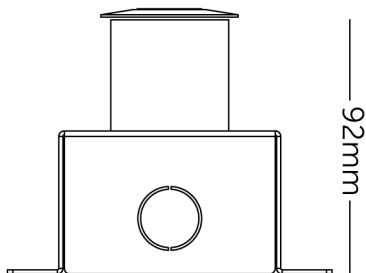
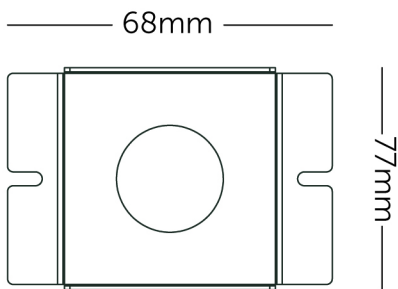
**PHYSICAL**

Size	H65mm * Ø46mm
Housing	Anodize Aluminum

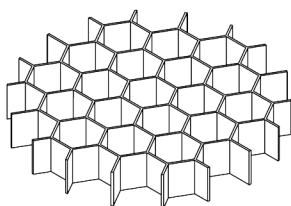
H65mm * Ø46mm
Anodize Aluminum



**BRACKETS**



**ACCESSORIES**



Honeycomb

**PINOUT**

