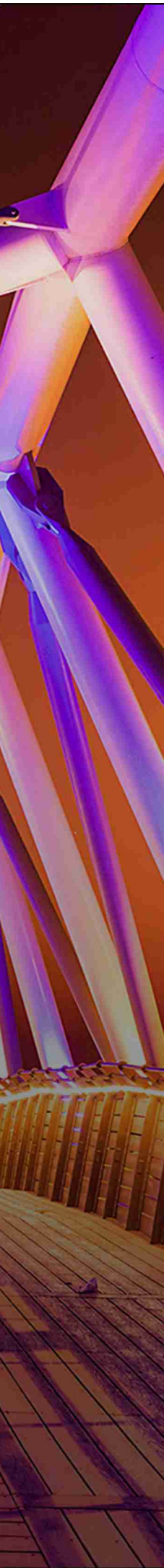




# *HIVEMINI*

*A circular Light Fixture suitable for wall washing & areal lighting.*









Innovative and stylish design transforms this fixture into a powerful washer, generating a uniform light output from a compact unit. With an aluminum body, perfect proportions and sleek design, it fits elegantly into every environment.

The **HIVE MINI** is operated at 500/700mA with a maximal power consumption of 18W per fixture. Option for 12 LEDs ranging from 11 to 37 degrees and Oval. The **HIVE MINI** can be operated as 1/2/3 or 4 channels fixture with any color combination and CRI ranging from 2200 to 6500K. the **HIVE MINI** is suitable for almost any outdoor need.

As one of the smallest high-power LED fixtures around and with an IP rating of 67, **HIVE MINI** is truly versatile and suitable for Architectural lighting, wall washing, areal lighting for retail, commercial and hospitality.



	<b>CRI</b>		<b>lm</b>	<b>lm/w</b>				
IP 67	70-90	18W	1890lm	105 lm/w	11-32°/Oval	2700 - 6500K	RGB / RGBW / DW	RAL / Anodize



# TECHNICAL SPECIFICATION

## OUTPUT

LED System	High power Luxeon Z-ES
Intensity	1890 lm @ full power CRI 80 3000K
Channel Range	1 / 2 / 3 / 4 Channel
Color Range	2200K / 2700K / 3000K / 3500K / 4000K / 5000K / 5700K / RGB(9 Leds) / RGBW(12 Leds)
Optical System	16 / 24 / 37 Degrees and Oval 40*18 / 11° (Optional with Luxeon Z)

## ELECTRICAL

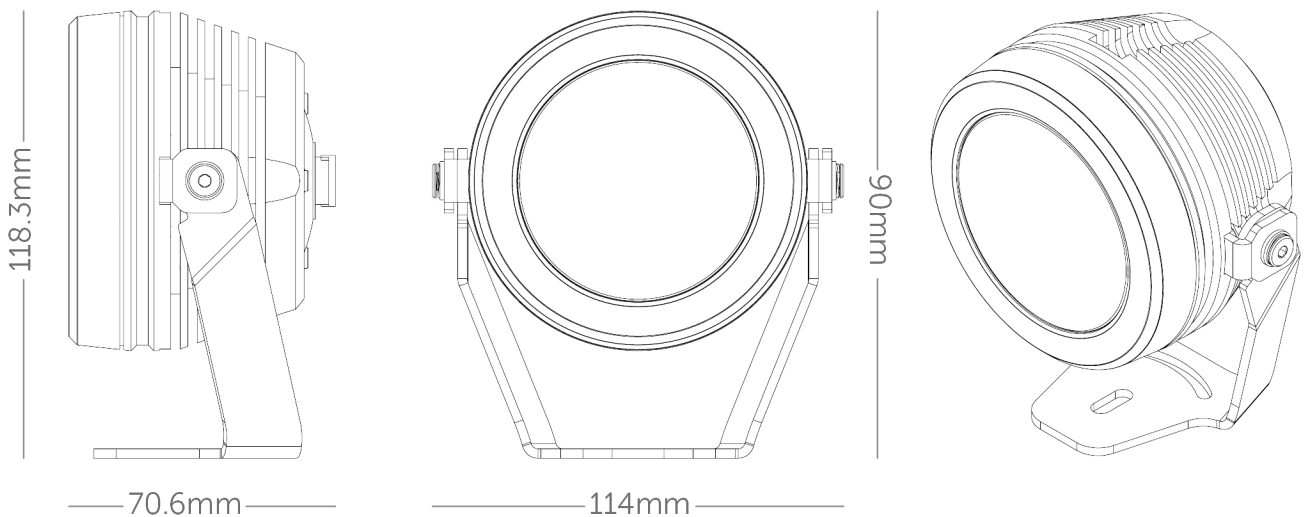
Control	External constant current driver
Input Voltage	36V (12LEDs), 27V (9LEDs)
Consumption	18W
Max LED's	12 LEDs @ 700mA @ RGBW or 9 LED's @ 500mA Monochrome
Efficiency LM/W	105 lm/w @ 3000K / 80CRI / 500mA
Connection	Cable 10X24AWG (4 Channel) Cable 2X18AWG (1 Channel)

## ENVIRONMENTAL

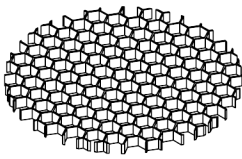
IP Rating	IP 67
Working Temp.	-18°C ~ 40°C / 0°F ~ 104°F
Storage Temp.	-18°C ~ 40°C / -0.4°F ~ 104°F

## PHYSICAL

Size	H118 * Ø90mm
Housing	15μ Anodized aluminum

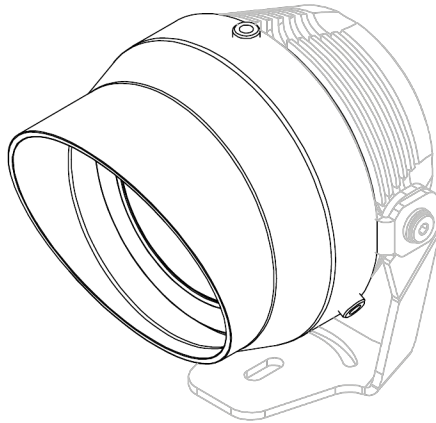


# DRAWING



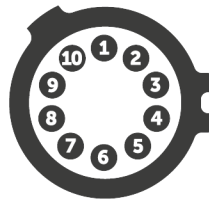
**Hobeycomb**

Cell W 5.2mm, H 3.2mm



**Angular Louver**

...	2	...	CH 1 +	...	Black
	3	<b>Polarity</b>	CH 1 -	...	White
	1		CH 2 +	<b>Color</b>	Red
	6		CH 2 -	...	Blue
	7		CH 3 +	...	Yellow
	4		CH 3 -	...	Green
	8		CH 4 +	...	Orange
	10		CH 4 -	...	Purple
	9		NTC	...	Grey
<b>Pin</b>	5		NTC	...	Brown



Male Side



Female Side