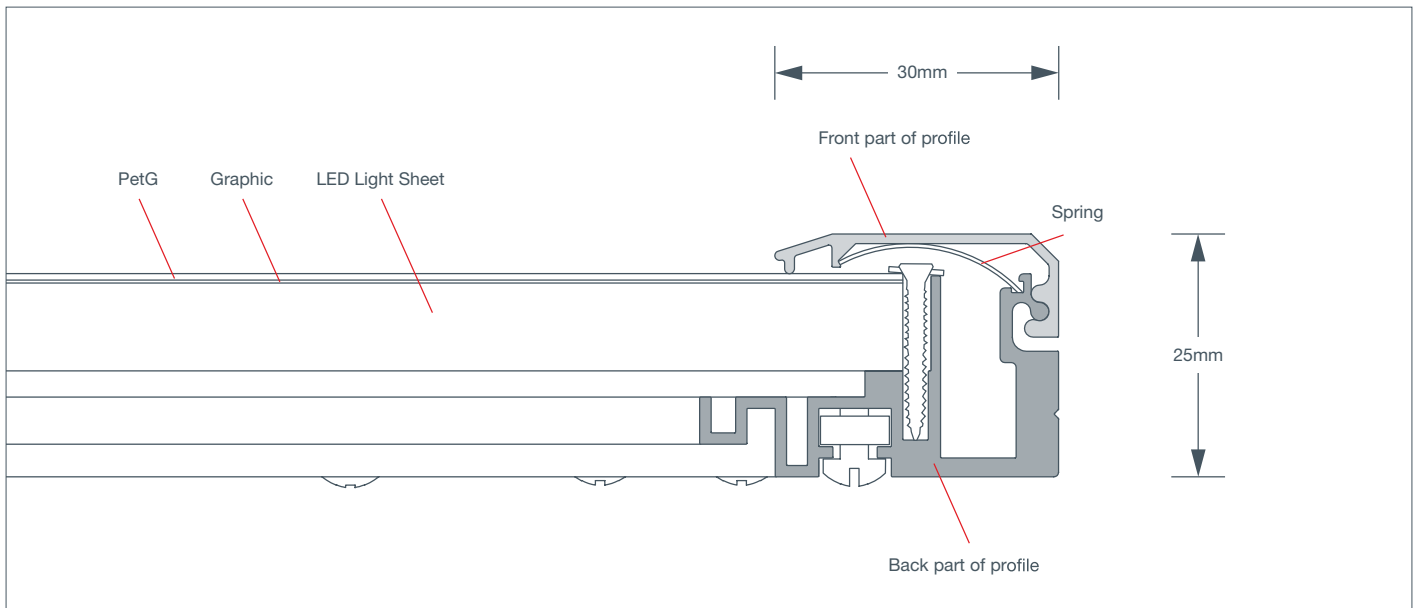


## Construction



## Dimensions

The following measurements should be used to calculate the required external frame size and graphic. Please note the resulting graphic visual area when designing and sizing artwork.

